

TWIN MASTER

PEANUT HARVESTER



PEANUT HARVESTER

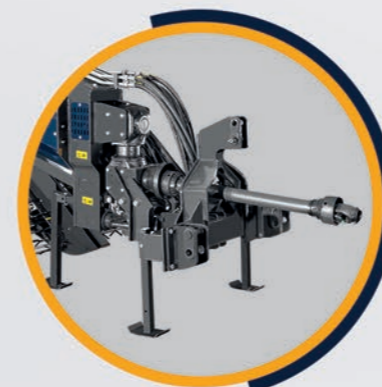
TWIN MASTER

TECHNICAL CHARACTERISTICS

MODEL	TWIN MASTER PEANUT HARVESTER
PTO horsepower required	220 hp
Coupling	Drawbar / 3rd Point
Drive	1000 rpm PTO
Remote control valves required	4
Hydraulic flow required	42 gpm (160 l/min)
Drive shafts	Aemco - 6000 series
Pickup header	
Support system	Electronic soil sensor system
Working width	18' (6 rows 36") 19' (6 rows 38") 5,500 mm
Type of pick-up finger	Hard
Threshing and separation system	
Threshing cylinder diameter	2 concave of 27.56 in (700 mm)
Threshing cylinder length	2 cylinders of 141.73 in (3,600 mm)
Work rotation	430 rpm
Size of concave separation holes	1.97 x 2.76 in (50 x 70 mm)
Cleaning system	
Main sieve useful area	75 ft ² (6.98 m ²)
Shaker pan holes	Half moon -0.2 x 1.18 in (5 x 30 mm)
Vaccum system air flow	Adjustable
Fan diameter	2 Fans -27.56 in (700 mm) each
Storage system	
Grain elevator	2 elevators
Bucket quantity and type	45 polyethylene
Bucket mounting	2 side chains
Basket capacity	4.0 tons (4,000 kg)
Dimensions and Weight	
Gauges	11.9 ft (3,630) / 12.9 ft (3,930 mm)
Unloading height	13.12 ft (4,000 mm)
Transport height	14.93 ft (4,550 mm)
Length	31 ft (9,400 mm)
Width	21.5 ft (6,550 mm)
Weight	23,150 lbs (10,500 kg)
Tire size	2 tires 30,5 x 26 "

Rev. 04 - 07-2024 - 216.087-4

Product improvement is one of COLOMBO priorities. COLOMBO reserves the right to introduce changes in product components and accessories without previous notice.



THE NEW FLEX HEADER
NEW INDEPENDENT AND EXCLUSIVE
COLOMBO PLATFORM
NEW QUICK HITCH SYSTEM



TWIN MASTER

PEANUT HARVESTER

REMOTE ADJUSTMENT OF THE CHAIN TENSIONER

Now it is simple and easy to adjust the chain tension of the grain elevator cups. Climbing on the machine is not necessary, adjustments can be made using an extension located on the sides of the grain elevator.

THE FAN SHIELD WERE DEVELOPED TO ALLOW AN EASY MAINTENANCE, AND COUNT WITH THE PROCESS OF AUSTEMPERING (ADI) THAT EXTEND THE WORKING LIFE IF THE COMPONENT.



STRAW CHOPPER KNIVES

A knife shredder at each straw outlet leaves the residue in the right size to be returned to the soil.

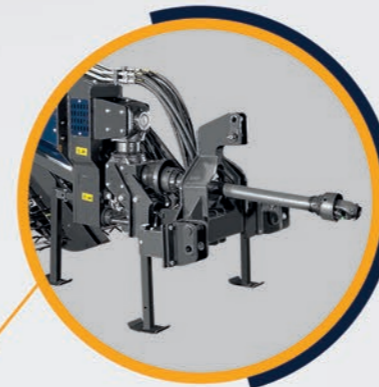
TRACK SYSTEM

The "FABI" (low impact axial flow) system developed by Colombo provides a smooth thresher in a variety of moisture conditions. The special feature of this system is that it allows you to start earlier and finish later, increasing the daily workday, without losing quality in the harvested product.



MONITORING PANEL

- Easily monitor 9 points for adjustments and operation corrections:
- Height and sensitivity indicators of the pick up header
 - PTO rotation indicator
 - Hour meter, hours worked indicator of the track circuit.
 - Operation/stop indicator of the 2 vibrating screens
 - Rotation indicator of the 2 turbines (monitors a range determined by the operator)
 - Rotation indicator of the 2 straw shredders (monitors a range determined by the operator)
 - Rotation indicator of the 2 elevators (monitors a range determined by the operator)
 - Activation/operation indicator of the spreading threads
 - Basket level indicator



TRACTOR / IMPLEMENT HITCH

New quick hitch system that provides more agility and safety when hitching the machine to the tractor.

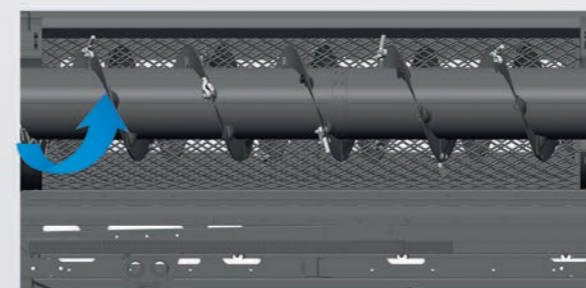
ROTARY DRIVE

Allows turns at end of the field without turning off the tractor's PTO.



PICK UP PLATFORM

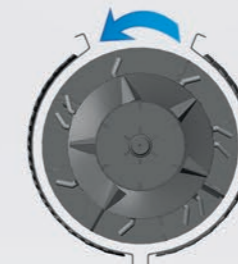
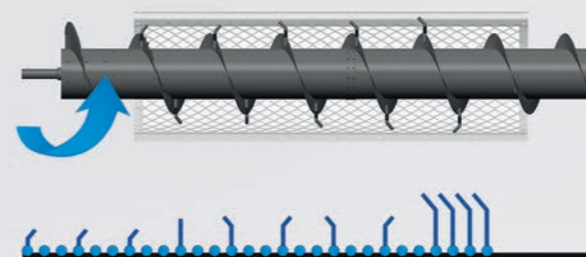
The new independent and exclusive Colombo platform allows better copy of soil irregularities, thus ensuring efficiency and reducing losses in collection. This new system allows, from the beginning of the operation, to eliminate excess impurities.



FASTER FLOW NON-AGGRESSIVE (-15°)

NEUTRAL (0°)

SLOWER FLOW AGGRESSIVE (+15°)



THRESHING CYLINDER

Multiple adjustment options with the FABI system for the most different harvest conditions.